

GLASS CLIPS

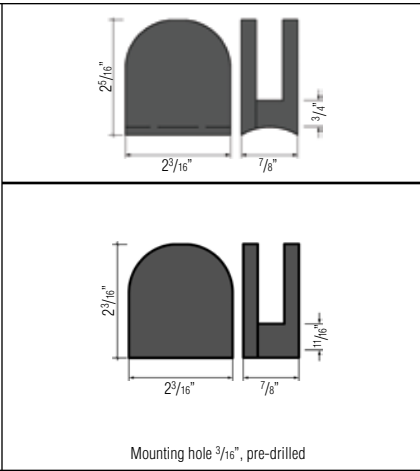


Rubber gaskets and a nylon pin are supplied with each glass clip. To accommodate each size of glass insert the appropriate gasket.



ZINC GLASS CLIPS

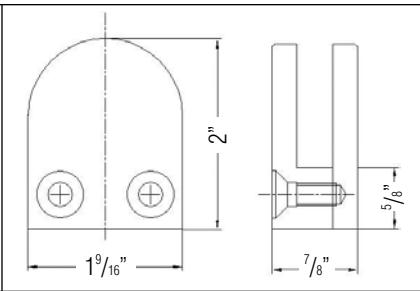
For Glass 5-8mm ($\frac{3}{16}$ ", $\frac{1}{4}$ " or $\frac{5}{16}$ "")



Part #	Fits Tubing	Material
7601R-BN	2" O.D. Round	Brushed Nickel
7601R-SC	2" O.D. Round	Satin Chrome
To suit 2" O.D. round tubing		
7602S-BN	Square	Brushed Nickel
7602S-SC	Square	Satin Chrome
To suit square bar or tubing		
<ul style="list-style-type: none"> • Each clip fits glass sizes $\frac{3}{16}$", $\frac{1}{4}$" or $\frac{5}{16}$" (5-8mm). All three sizes can be accommodated by means of an internal bolt adjustment. • Supplied complete with rubber gaskets. • The Brushed Nickel finish is commonly used to complement stainless steel. • Clips are zinc diecast and supplied in two finishes. 		

NEW! STAINLESS STEEL GLASS CLIPS - SMALL

For Glass 6-8mm ($\frac{1}{4}$ " or $\frac{5}{16}$ "")




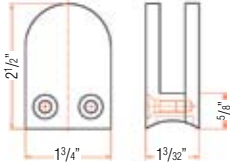
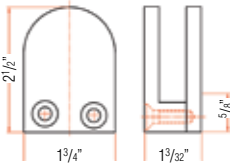
Part #	Fits Tubing	Material
7605S-BS	Square	Brushed S/S Type 304
NEW! 7605S-BS.316	Square	Brushed S/S Type 316
To suit square bar or tubing		
<ul style="list-style-type: none"> • Each clip fits glass $\frac{1}{4}$" (6mm) or $\frac{5}{16}$" (8mm). Both sizes can be accommodated by means of adding or removing the rubber gaskets (supplied). • Clips are solid stainless steel. 		



GLASS CLIPS


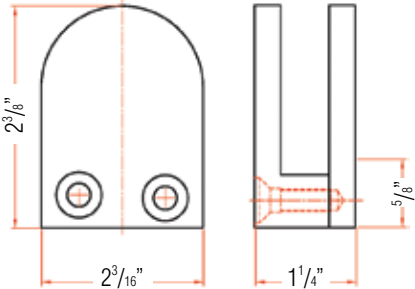
STAINLESS STEEL GLASS CLIPS - MEDIUM

For Glass 8-12mm ($\frac{5}{16}$ " $\frac{3}{8}$ " or $\frac{1}{2}$ ")

		<table border="1"> <thead> <tr> <th>Part #</th> <th>Fits Tubing</th> <th>Material</th> </tr> </thead> <tbody> <tr> <td>7606R-BS</td> <td>Round</td> <td>Brushed S/S Type 304</td> </tr> <tr> <td colspan="3">To suit 2" O.D. round tubing</td> </tr> </tbody> </table>	Part #	Fits Tubing	Material	7606R-BS	Round	Brushed S/S Type 304	To suit 2" O.D. round tubing				
	Part #	Fits Tubing	Material										
7606R-BS	Round	Brushed S/S Type 304											
To suit 2" O.D. round tubing													
	<table border="1"> <thead> <tr> <th>Part #</th> <th>Fits Tubing</th> <th>Material</th> </tr> </thead> <tbody> <tr> <td>7606S-BS</td> <td>Square</td> <td>Brushed S/S Type 304</td> </tr> <tr> <td colspan="3">To suit square tubing</td> </tr> <tr> <td colspan="3"> <ul style="list-style-type: none"> Each clip fits glass sizes $\frac{5}{16}$" (8mm), $\frac{3}{8}$" (10mm) or $\frac{1}{2}$" (12mm). All sizes can be accommodated by means of adding or removing the rubber gaskets (supplied). Clips are solid stainless steel. </td> </tr> </tbody> </table>	Part #	Fits Tubing	Material	7606S-BS	Square	Brushed S/S Type 304	To suit square tubing			<ul style="list-style-type: none"> Each clip fits glass sizes $\frac{5}{16}$" (8mm), $\frac{3}{8}$" (10mm) or $\frac{1}{2}$" (12mm). All sizes can be accommodated by means of adding or removing the rubber gaskets (supplied). Clips are solid stainless steel. 		
Part #	Fits Tubing	Material											
7606S-BS	Square	Brushed S/S Type 304											
To suit square tubing													
<ul style="list-style-type: none"> Each clip fits glass sizes $\frac{5}{16}$" (8mm), $\frac{3}{8}$" (10mm) or $\frac{1}{2}$" (12mm). All sizes can be accommodated by means of adding or removing the rubber gaskets (supplied). Clips are solid stainless steel. 													


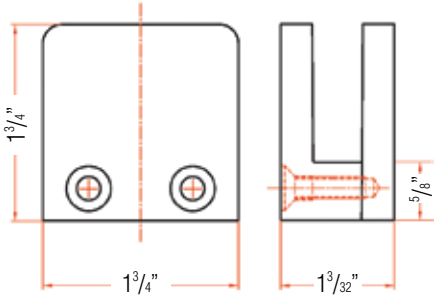
NEW! STAINLESS STEEL GLASS CLIPS - LARGE

For Glass 8-12mm ($\frac{5}{16}$ " $\frac{3}{8}$ " or $\frac{1}{2}$ ")

		<table border="1"> <thead> <tr> <th>Part #</th> <th>Fits Tubing</th> <th>Material</th> </tr> </thead> <tbody> <tr> <td>NEW! 7608S-BS</td> <td>Square</td> <td>Brushed S/S Type 304</td> </tr> <tr> <td colspan="3">To suit square bar or tubing</td> </tr> <tr> <td colspan="3"> <ul style="list-style-type: none"> Each clip fits glass sizes $\frac{5}{16}$" (8mm), $\frac{3}{8}$" (10mm) or $\frac{1}{2}$" (12mm). All sizes can be accommodated by means of adding or removing the rubber gaskets (supplied). Clips are solid stainless steel. </td> </tr> </tbody> </table>	Part #	Fits Tubing	Material	NEW! 7608S-BS	Square	Brushed S/S Type 304	To suit square bar or tubing			<ul style="list-style-type: none"> Each clip fits glass sizes $\frac{5}{16}$" (8mm), $\frac{3}{8}$" (10mm) or $\frac{1}{2}$" (12mm). All sizes can be accommodated by means of adding or removing the rubber gaskets (supplied). Clips are solid stainless steel. 		
	Part #	Fits Tubing	Material											
NEW! 7608S-BS	Square	Brushed S/S Type 304												
To suit square bar or tubing														
<ul style="list-style-type: none"> Each clip fits glass sizes $\frac{5}{16}$" (8mm), $\frac{3}{8}$" (10mm) or $\frac{1}{2}$" (12mm). All sizes can be accommodated by means of adding or removing the rubber gaskets (supplied). Clips are solid stainless steel. 														


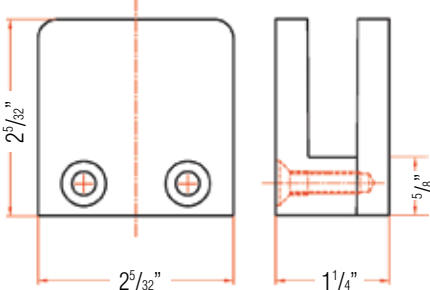
NEW! STAINLESS STEEL GLASS CLIPS - SMALL SQUARE

For Glass 6-8mm ($\frac{1}{4}$ " or $\frac{5}{16}$ ")

		<table border="1"> <thead> <tr> <th>Part #</th> <th>Fits Tubing</th> <th>Material</th> </tr> </thead> <tbody> <tr> <td>NEW! 7615S-BS</td> <td>Square</td> <td>Brushed S/S Type 304</td> </tr> <tr> <td colspan="3">To suit square bar or tubing</td> </tr> <tr> <td colspan="3"> <ul style="list-style-type: none"> Each clip fits glass sizes $\frac{1}{4}$" (6mm) or $\frac{5}{16}$" (8mm). All sizes can be accommodated by means of adding or removing the rubber gaskets (supplied). Clips are solid stainless steel. </td> </tr> </tbody> </table>	Part #	Fits Tubing	Material	NEW! 7615S-BS	Square	Brushed S/S Type 304	To suit square bar or tubing			<ul style="list-style-type: none"> Each clip fits glass sizes $\frac{1}{4}$" (6mm) or $\frac{5}{16}$" (8mm). All sizes can be accommodated by means of adding or removing the rubber gaskets (supplied). Clips are solid stainless steel. 		
	Part #	Fits Tubing	Material											
NEW! 7615S-BS	Square	Brushed S/S Type 304												
To suit square bar or tubing														
<ul style="list-style-type: none"> Each clip fits glass sizes $\frac{1}{4}$" (6mm) or $\frac{5}{16}$" (8mm). All sizes can be accommodated by means of adding or removing the rubber gaskets (supplied). Clips are solid stainless steel. 														

NEW! STAINLESS STEEL GLASS CLIPS - LARGE SQUARE

For Glass 8-12mm ($\frac{5}{16}$ " $\frac{3}{8}$ " or $\frac{1}{2}$ ")

		<table border="1"> <thead> <tr> <th>Part #</th> <th>Fits Tubing</th> <th>Material</th> </tr> </thead> <tbody> <tr> <td>7610LS-BS</td> <td>Square</td> <td>Brushed S/S Type 304</td> </tr> <tr> <td>NEW! 7610LS-BS.316</td> <td>Square</td> <td>Brushed S/S Type 316</td> </tr> <tr> <td colspan="3">To suit square bar or tubing</td> </tr> <tr> <td colspan="3"> <ul style="list-style-type: none"> Each clip fits glass sizes $\frac{5}{16}$" (8mm), $\frac{3}{8}$" (10mm) or $\frac{1}{2}$" (12mm). All sizes can be accommodated by means of adding or removing the rubber gaskets (supplied). Clips are solid stainless steel. </td> </tr> </tbody> </table>	Part #	Fits Tubing	Material	7610LS-BS	Square	Brushed S/S Type 304	NEW! 7610LS-BS.316	Square	Brushed S/S Type 316	To suit square bar or tubing			<ul style="list-style-type: none"> Each clip fits glass sizes $\frac{5}{16}$" (8mm), $\frac{3}{8}$" (10mm) or $\frac{1}{2}$" (12mm). All sizes can be accommodated by means of adding or removing the rubber gaskets (supplied). Clips are solid stainless steel. 		
	Part #	Fits Tubing	Material														
7610LS-BS	Square	Brushed S/S Type 304															
NEW! 7610LS-BS.316	Square	Brushed S/S Type 316															
To suit square bar or tubing																	
<ul style="list-style-type: none"> Each clip fits glass sizes $\frac{5}{16}$" (8mm), $\frac{3}{8}$" (10mm) or $\frac{1}{2}$" (12mm). All sizes can be accommodated by means of adding or removing the rubber gaskets (supplied). Clips are solid stainless steel. 																	

To order, visit us online at www.geobezdan.com or by phone 1-800-663-6356 or fax 604-299-5464.

GLASS CLIPS

STEP-BY-STEP GLASS CLIP INSTALLATION

Visit us online at www.geobezdan.com. Email your questions to info@geobezdan.com.



STEP 1: Drill a hole for the blind rivet nut.



STEP 2: Insert the blind rivet nut.



RESULT: An installed blind rivet nut.



STEP 3: Screw the inside hexagon head screw into the rivet nut through the glass clip into the tube.



STEP 4: Install the rubber gasket.



STEP 5: Insert glass, then screw the other half of the glass clip into place to secure it.

