

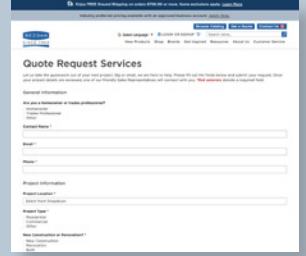
Pre-Assembled Post Selection Guide

To Meet 36" Glass Railing Height

Bezdan's pre-assembled posts meet the 36" railing height requirement for typical level and stair residential applications. Choose from the front, middle, or back tread placement options and stainless steel components in two stylish finishes: satin and black PVD.



Do you need an alternative post height for unique applications? Shop all our stainless steel posts and top mount bracket options at geobeze.com/bezdan-stainless.



Stainless Steel Posts in Black PVD

Level Applications



End Post
Part #9556-72

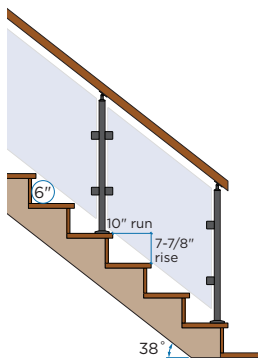


Center Post
Part #9557-72

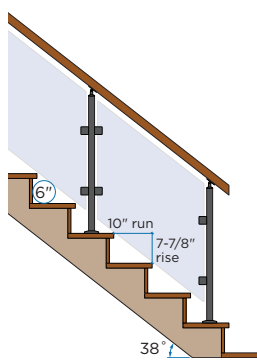


Corner Post
Part #9558-77

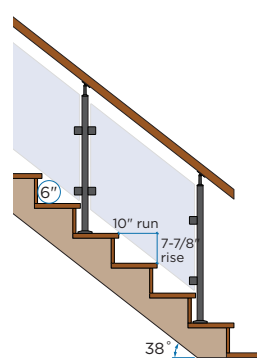
Stair Applications - Post Placement on Tread



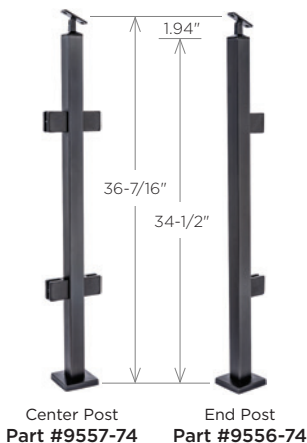
Front of Tread



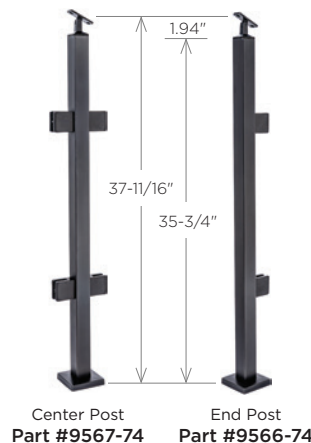
Middle of Tread



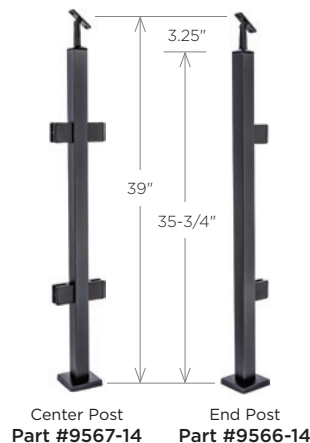
Back of Tread



Center Post Part #9557-74 End Post Part #9556-74



Center Post Part #9567-74 End Post Part #9566-74



Center Post Part #9567-14 End Post Part #9566-14

Bezdan's Quoting Service

Let us take the guesswork out of your next project. Use the online Request a Quote form and a Sales Representative will connect with you to provide:

- ✓ Product recommendations to ensure an efficient and cost effective project
- ✓ Custom take-offs to guide you through your specific project installation
- ✓ The resources you need to ensure a successful installation

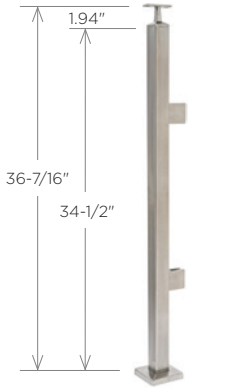
Go to geobeze.com/quote-request



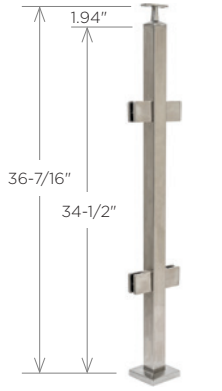
BEZDAN
SINCE 1960
geobeze.com
800 663 6356

Satin Stainless Steel Posts

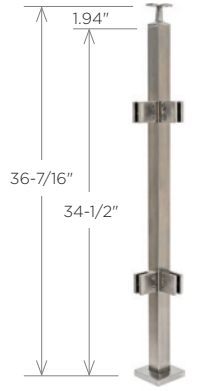
Level Applications



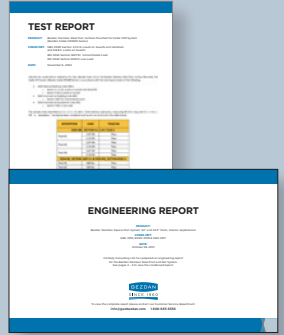
End Post
Part #9551-62



Center Post
Part #9552-62



Corner Post
Part #9553-67



Test & Engineering Reports

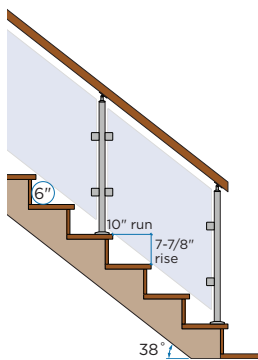
Bezdan Stainless steel posts are tested to meet the National Building Code (NBC) standards for interior applications and offer superior strength and durability thanks to a double-welded machined anchor plate.

View test and engineering reports in the resource library or under the downloads tab of the product page.

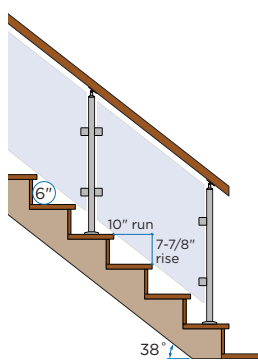
Go to geobezdan.com/resource-library/



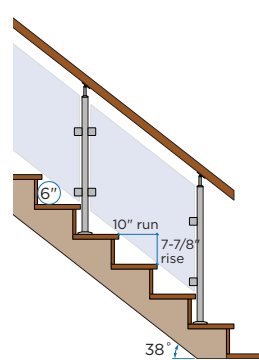
Stair Applications - Post Placement on Tread



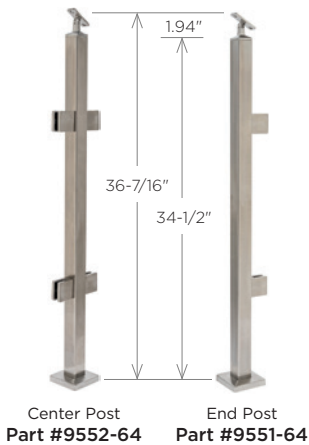
Front of Tread



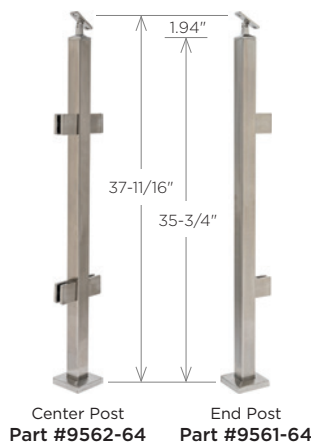
Middle of Tread



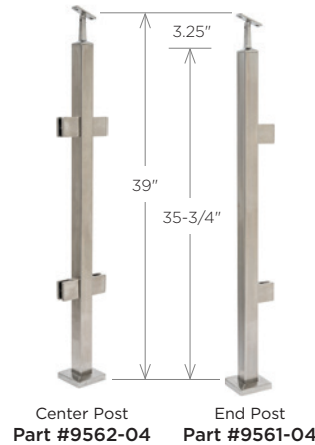
Back of Tread



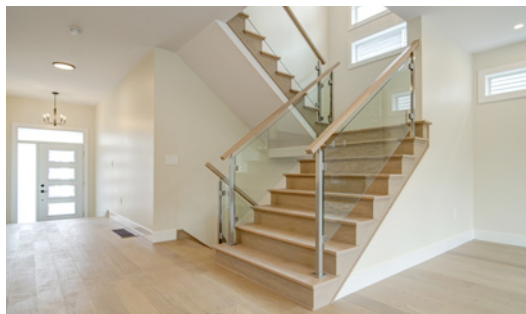
Center Post Part #9552-64 End Post Part #9551-64



Center Post Part #9562-64 End Post Part #9561-64



Center Post Part #9562-04 End Post Part #9561-04



BEZDAN
SINCE 1960
geobezdan.com
800 663 6356